

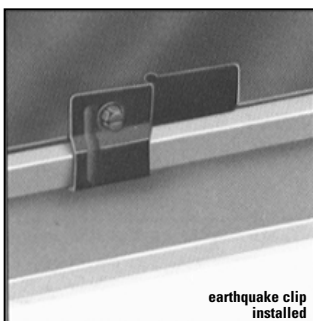
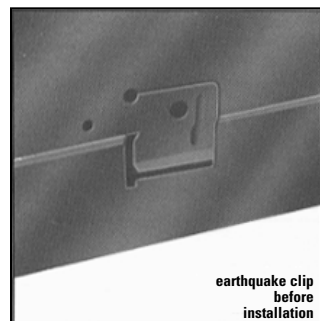
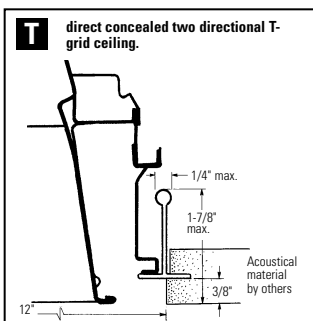
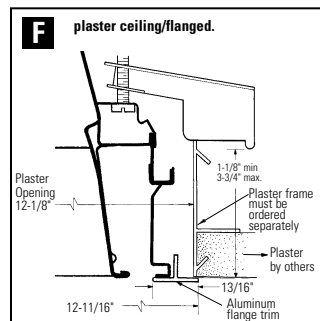
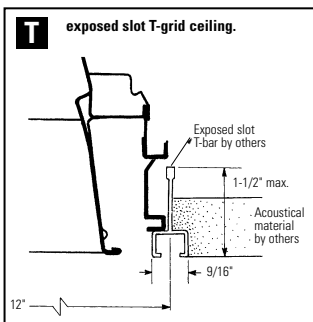
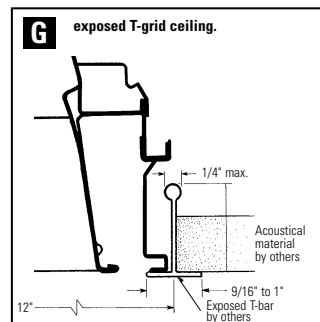
STACKLYTE STA 1'x4' 1 LAMP

Features

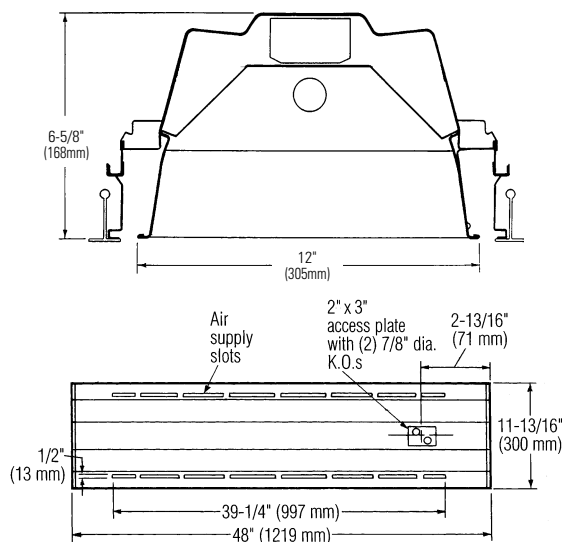
- Excellent for lighting library bookshelves, 97.5% of fixtures distribution is in the 0°-60° zone.
- Meets IES RP1 for lighting VDT areas with normal use.
- 73.3% efficient (T8 - 8 cell).
- Semi-specular low iridescence pre-anodized louver.
- Vertical grain on louver eliminates reflected lamp image on cross baffle.
- Louver frame with integral positive light stop.
- Spring loaded latches (self centering).
- Louver has protective dust guard.
- Black housing exterior for cooler ballast operating temperature.
- Turned-in edges for safe handling.
- Built-in earthquake clip.
- UL-Listed twin knockout access plate.
- Air closure strips (optional).
- Construction to meet NYC Code or Chicago Plenum is available.



MOUNTING METHODS



DIMENSIONS



Job Information

Type:

Job Name:

Cat. No.:

Lamp(s):

Volts/Ballast:

Lightolier a Genlyte Thomas Company

www.lightolier.com

Technical Information: (978) 657-7600 • Fax (978) 658-0595

631 Airport Road, Fall River, MA 02720 • (508) 679-8131 • Fax (508) 674-4710

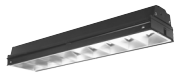
We reserve the right to change details of design, materials and finish.

© 2002 Genlyte Thomas Group LLC (Lightolier Division)

A0902

Section 2/Folio G40-14 REV. A

LIGHTOLIER®



STACKLYTE STA 1'x4' 1 LAMP

1'x4' RECESSED FLUORESCENT, 3" DEEP, 8 OR 12 CELL PARABOLIC LOUVER
 STATIC OR AIR SUPPLY/RETURN, IES RP1 FOR NORMAL VDT USE

PHOTOMETRY

MODEL NO. STA1G8LR132120SO

LER = FL - 60.2 IW - 30.4 BF - 0.88
 Comparative yearly lighting energy cost per 1000 lumens = \$3.97

TESTING LABORATORY

45 Industrial Way
 Wilmington, MA 01887
 (978) 657-7600

REPORT NO.: G97034 DATE: 10/30/97
 CATALOG NO.: STA1G8LR132SO
 LAMP(S): 1 F032T8 RATED 2850 LUMENS.
 LUMINAIRE: STACKLYTE 1X4 RECESS. SEMI-SPEC LOUVER
 SPECULAR REFLECTOR AND MOTOROLA
 MERTS11LL120V BALLAST

CANDLE DISTRIBUTION

| ANGLE | 0-30 | 30-45 | 45-60 | 60-75 | 75-90 | FLUX |
|-------|------|-------|-------|-------|-------|------|
| 0 | 927 | 927 | 927 | 927 | 927 | |
| 5 | 924 | 936 | 957 | 974 | 981 | 92 |
| 15 | 885 | 952 | 1092 | 1139 | 1138 | 295 |
| 25 | 796 | 959 | 1018 | 1099 | 1160 | 463 |
| 35 | 664 | 829 | 948 | 964 | 1005 | 556 |
| 45 | 500 | 633 | 684 | 506 | 440 | 440 |
| 55 | 304 | 373 | 231 | 61 | 32 | 191 |
| 65 | 30 | 49 | 40 | 27 | 15 | 42 |
| 75 | 8 | 8 | 7 | 6 | 5 | 8 |
| 85 | 3 | 3 | 2 | 2 | 2 | 3 |
| 90 | 0 | 0 | 0 | 0 | 0 | |

ZONAL LUMEN SUMMARY

| ZONE | LUMENS | %LAMP | %FIXT |
|--------|--------|-------|-------|
| 0-30 | 850 | 29.8 | 40.7 |
| 0-40 | 1406 | 49.3 | 67.3 |
| 0-60 | 2037 | 71.5 | 97.5 |
| 0-90 | 2089 | 73.3 | 100.0 |
| 90-180 | 0 | 0.0 | 0.0 |
| 0-180 | 2089 | 73.3 | 100.0 |

TOTAL LUMINAIRE EFFICIENCY = 73.3 %
 TOTAL REFLECTANCE OF PAINT = 95.0 %
 CIR. TYPE - DIRECT
 PLANE : 0-DEG 90-DEG
 SPACING CRITERIA : 1.2 1.5
 PLANE : 0-DEG 90-DEG
 LUMINOUS LENGTH : 46.250 9.500

LUMINANCE DATA IN CANDELA/SQ M
 ANGLE AVERAGE AVERAGE

| IN DEG | 0-DEG | 45-DEG | 90-DEG |
|--------|-------|--------|--------|
| 45 | 2494. | 3411. | 2194. |
| 55 | 1869. | 1420. | 197. |
| 65 | 250. | 331. | 125. |
| 75 | 109. | 95. | 68. |
| 85 | 121. | 81. | 81. |

THIS REPORT IS BASED ON PUBLISHED INDUSTRY PROCEDURES - FIELD PERFORMANCE MAY DIFFER FROM LABORATORY PERFORMANCE
 Meets IES RP-1 recommended (basic).

6 5/8"

12"

coefficients of utilization — zonal cavity method

| RF | 20 | | | 20 | | | | | | |
|-------------------|----|----|----|----|----|----|----|----|----|----|
| | RC | 80 | 50 | RC | 80 | 50 | | | | |
| RW | 70 | 50 | 30 | 50 | 30 | 10 | 50 | 30 | 10 | |
| room cavity ratio | 0 | 87 | 87 | 87 | 81 | 81 | 81 | 78 | 78 | 78 |
| | 1 | 82 | 80 | 77 | 75 | 73 | 72 | 72 | 71 | 70 |
| | 2 | 77 | 72 | 68 | 68 | 65 | 63 | 66 | 64 | 62 |
| | 3 | 71 | 65 | 61 | 62 | 59 | 56 | 60 | 57 | 55 |
| | 4 | 66 | 59 | 54 | 57 | 52 | 49 | 55 | 51 | 49 |
| | 5 | 62 | 54 | 48 | 52 | 47 | 44 | 50 | 46 | 43 |
| | 6 | 57 | 49 | 44 | 47 | 43 | 39 | 46 | 42 | 39 |
| | 7 | 54 | 45 | 40 | 43 | 39 | 35 | 43 | 38 | 35 |
| | 8 | 50 | 41 | 36 | 40 | 35 | 32 | 39 | 35 | 32 |
| | 9 | 47 | 38 | 33 | 37 | 32 | 29 | 36 | 32 | 29 |
| 10 | 44 | 35 | 30 | 34 | 30 | 27 | 34 | 30 | 27 | |

VERTICAL FOOTCANDLES ON BOOK SHELVES

| Ceiling | 1' | | 2' | | 3' | | 4' | | |
|---------|------|------|------|------|------|------|------|------|------|
| 1.00 | 48.3 | 48.4 | 48.5 | 48.4 | 48.3 | 48.4 | 48.5 | 48.4 | 48.3 |
| 2.00 | 36.4 | 36.0 | 36.2 | 36.3 | 36.4 | 36.3 | 36.2 | 36.0 | 36.4 |
| 3.00 | 28.3 | 28.3 | 28.3 | 28.3 | 28.3 | 28.3 | 28.3 | 28.3 | 28.3 |
| 4.00 | 23.6 | 23.5 | 23.6 | 23.5 | 23.6 | 23.5 | 23.6 | 23.5 | 23.6 |
| 5.00 | 21.0 | 20.9 | 21.0 | 20.9 | 21.0 | 20.9 | 21.0 | 20.9 | 21.0 |
| 6.00 | 18.3 | 18.3 | 18.3 | 18.3 | 18.3 | 18.3 | 18.3 | 18.3 | 18.3 |
| 7.00 | 16.4 | 16.4 | 16.4 | 16.4 | 16.4 | 16.4 | 16.4 | 16.4 | 16.4 |
| 8.00 | 15.6 | 15.6 | 15.6 | 15.6 | 15.6 | 15.6 | 15.6 | 15.6 | 15.6 |
| 9.00 | 14.7 | 14.6 | 14.6 | 14.6 | 14.6 | 14.6 | 14.6 | 14.6 | 14.6 |
| 10.00 | 13.5 | 13.5 | 13.5 | 13.5 | 13.4 | 13.5 | 13.5 | 13.5 | 13.5 |
| 11.00 | 11.9 | 11.9 | 11.9 | 11.9 | 11.9 | 11.9 | 11.9 | 11.9 | 11.9 |
| 12.00 | 9.9 | 9.8 | 9.9 | 9.8 | 9.8 | 9.8 | 9.9 | 9.8 | 9.9 |
| Floor | 0' | 1' | 2' | 3' | 4' | | | | |

Book shelf aisle width, 36"

ORDERING INFORMATION

Explanation of Catalog Number. Example: STA1G8LR132120S0GLR

| | | | | | | | | | | | | |
|----------------------------------|---|---|--|---|---|------------------|---|------------------------|---|---|----------------------------------|--|
| BLANK | ST | 1 | | | | R | 1 | | | | | |
| BLANK - Standard N = NYC Code | STACKLYTE: 3" Deep Precision Contoured Pre-anodized Aluminum Louver | CEILING TYPE: G=Grid (lay-in T bar) F=Flanged (overlap) Z spline and plaster frame T=Slot grid or two-directional concealed T (see options) | LOUVER FINISH: L=Low Iridescence Semi-specular (standard) P=Low Iridescence specular | NUMBER OF CELLS: 8=1 row of 8 cells 12=1 row of 12 cells | REFLECTOR: R=Specular 95% Reflective | LAMP QUANTITY | LAMP/ FIXTURE LENGTH: 32=T8 34=T12 (Nominal 48") | VOLTAGE: 120 or 277 | BALLAST TYPE: 1 Lamp Mag. T12 1 Lamp Elec. T8 LOL Dimming *Instant Start Standard | OPTIONS: Add appropriate suffix to catalog no. ie: (GLR) | LE <20THD SO* PS HI* | |

Other dimming options. Consult factory.

To meet NYC Code requirements prefix catalog number with (N).

OPTIONS & ACCESSORIES

- ACCESS PLATE:** Top Wiring access plate is shipped with fixture as standard. When access plates are required in advance for wiring convenience, specify separately. Order Catalog Number: **ACP CSP**.
- ELECTRICAL WIRING OPTIONS:** Consult factory.
- FUSING:** Internal fast-blow fusing. SUFFIX: **GLR**.
Internal slow-blow fusing. SUFFIX: **GMF**.
- RADIO INTERFERENCE FILTER:** 120 or 277 volt, 50 or 60 Hz. One per fixture standard. SUFFIX: **RF**.
- SPLAY TRIM:** For T ceiling type only. SUFFIX: **CTZ14 S2 SPLAY TRIM**.
- PLASTER FRAMES:** F type fixtures do not include plaster frames. For individual or continuous mounting, specify **PF14** universal frame per fixture.
- AIR CLOSURE STRIP:** SUFFIX **ACS4** (factory installed).
- DRYWALL KIT:** Order Catalog Number: **FK91X4**. Request Folio OA30-10.
- CHICAGO PLENUM:** SUFFIX: **CP**.

SPECIFICATIONS

PERFORMANCE: Luminaire distribution is to be a minimum of 97.5% in the 0°-60° zone. In an installation of 1 lamp 32W luminaires in a room cavity ratio of 1, reflectance 80% ceiling, 50% wall, 20% floor, the C.U. shall not be less than .80 with a spacing to mounting ratio of 1.5 perpendicular to the lamps. To meet IES RP1 recommended (basic) requirements for VDT areas the VCP (visual comfort probability) shall not be less than 90 either crosswise or lengthwise, and the maximum

SPECIFICATIONS (continued)

- average brightness at 65°, 75° and 85° shall not exceed 334, 109 and 121 candelas per square meter respectively in the 0°, 45° and 90° horizontal planes.
- AIR HANDLING:** (STA only) side air passages for air supply or air return. Optional side closure strips. Air return is also provided through the lamp compartment through fixture body ends.
- MATERIALS: Chassis parts** are die-formed embossed cold rolled steel.
- Housing** is embossed for rigidity with all edges turned-in for safe handling.
- LOUVER:** Pre-anodized aluminum (Coilzak® or equal).
- FINISH: Louver**—semi-specular low iridescence pre-anodized reflector sheet.
- Reflector**—95% reflective specular. Phosphate undercoating.
- Chassis exterior**—black baked polyester enamel.
- ELECTRICAL:** Thermally protected class "P" ballast C.B.M. approved, non PCB. If K.O. is within 3" of ballast, use wire suitable for at least 90°.
- LABELS:** I.B.E.W./UL and C-UL.

Job Information Type:

Lightlier a Genlyte Thomas Company www.lightlier.com
 Technical Information: (978) 657-7600 • Fax (978) 658-0595
 631 Airport Road, Fall River, MA 02720 • (508) 679-8131 • Fax (508) 674-4710
 We reserve the right to change details of design, materials and finish.
 © 2002 Genlyte Thomas Group LLC (Lightlier Division)
 A0902 **Section 2/Folio G40-14 REV. A**

LIGHTLIER®